

# PUMPY VN14

Transfer pump (all pneumatic)

CAPACITY (variable up to 50 Liters/min\*)



**All stainless steel piston pump unit**

**Mobile all stainless steel construction stand**

**Adjustable height to suit customer's mixing bowls**

**Suitable for food, chemical, cosmetic and pharmaceutical products**

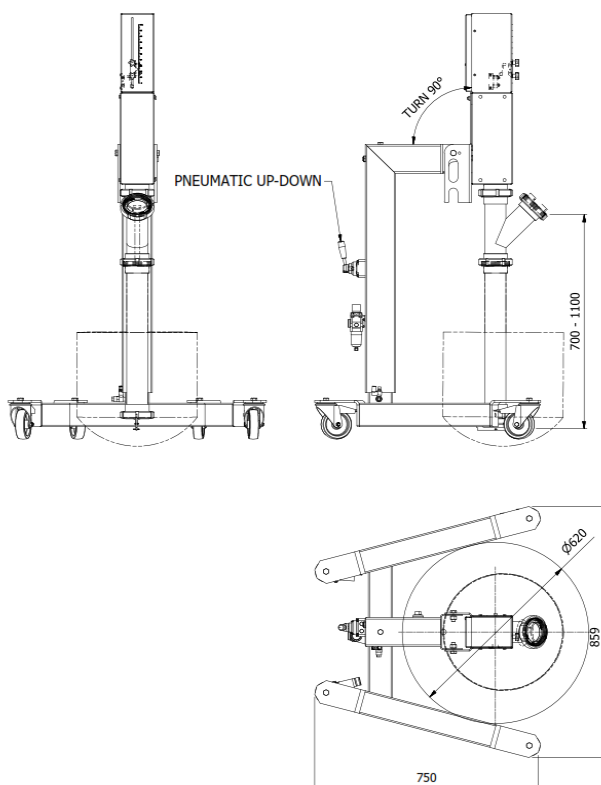
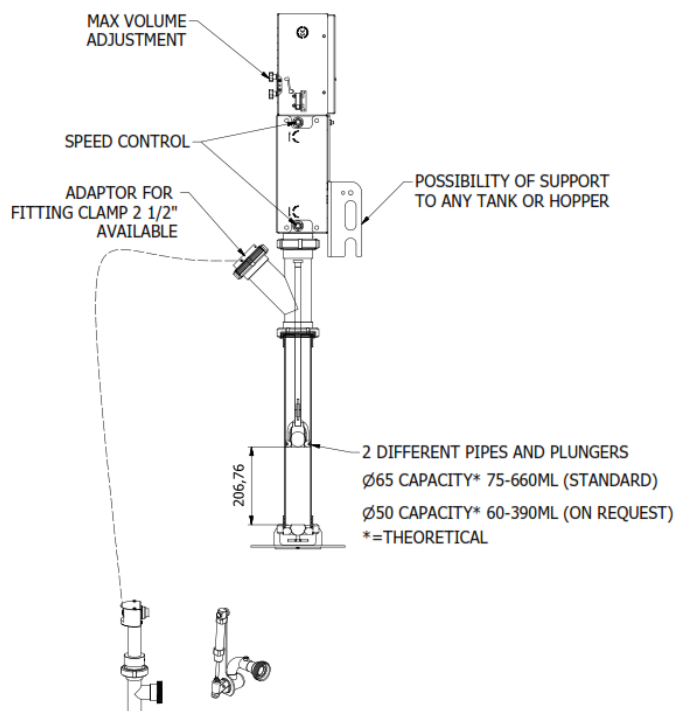
**PUMPY VN14 works with compressed air (no electrical hazard)**

**Suitable for DIN and CLAMP fittings**

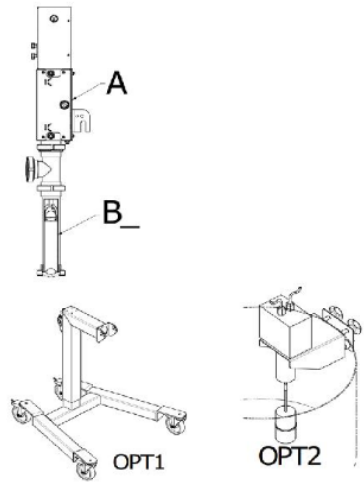
**Pneumatic level available (optional)**

**Different nozzles available**

**\*to a maximum 60 cycles at 6 bar**



PUMPY VN (VN14)		*CAPACITY/cycle		CODE NUMBER
		MAX	MIN	
A	STANDARD BASIC (PUMPY) <b>NOT INCLUDED</b> WITHOUT PIPE AND PLUNGER WITHOUT TROLLEY WITHOUT ATTACHMENTS: EXIT FEMALE HOLE $\phi=40$ <b>OPTIONS</b>			VN14A001
B1	PIPE AND PLUNGER $\phi=65$ CAPACITY 650 ML (STANDARD)	660	75	VN14A021
B3	PIPE AND PLUNGER $\phi=50$ CAPACITY 380 ML	390	60	VN14A023
C1	ADAPTOR DN65 FOR CLAMP 2 1/2"			VN14L007
<b>PRICE PUMPY VN14=A+B+C_</b>				
<b>OPTIONALS</b>				
OPT1	TROLLEY (PNEU. STROKE 400 mm)			VN14A002
OPT2	LEVEL (ALL PNEUMATIC)			VN14A003
OPT3	FLEXIBLE PIPE $\phi=65$ (L=1500) WITH FITTINGS			VN14A011
OPT4	GASKET AND PLUNGER $\phi 65$ FOR HIGH TEMPERATURE SETTING (UP TO 150 °C)			VN14A051
<b>NOTE</b>				
*To maintain portion accuracy, it is recommended that the % volume setting for the machine be set between 20% to 80% of the scale.				



### VN attachments (optionals)

- Rotary cut-off nozzle
- Split-up nozzle
- Donuts/Bagel nozzle (®patent)
- Spreader nozzle
- Rotary spreader nozzle

### VN level (optional)

- Pneumatic level (no electric hazard)



### VN FOODAERATION D.O.O.

Registered office : Kunaverjeva ulica 9 - 1000 Ljubljana (Slovenija)

Operational headquarters: Industrijska cesta 005 - 5000 Nova Gorica (Slove)

info@foodaeration.com

