

# MULTI DROPPY

VN08 (6 PORTS)      VN10 (8 PORTS)

We are proud to introduce our machine  
It's world's fastest system for depositing of sauces,  
injection and fillings. It can be fitted with many different  
interchangeable nozzles to suit your design.



## Benefits

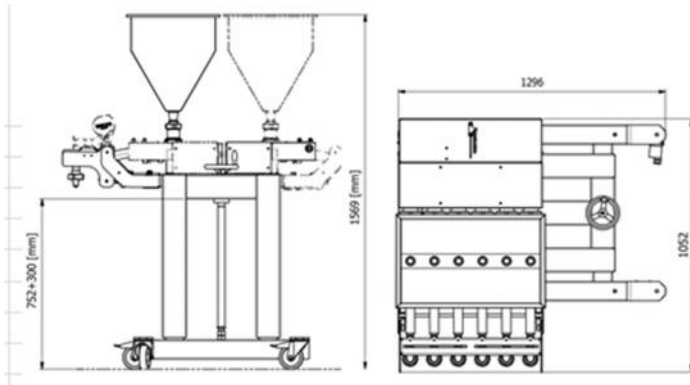
- all stainless steel
- customizable and suitable for any fluid and liquid product
- all parts have been designed to simplify cleaning, maintenance and disassembly operations
- suitable for food, chemical, cosmetic and pharmaceutical products
- maximum precision and constancy
- ANTI DRIP SUCKING (® PATENT)
- different nozzles available

## Features

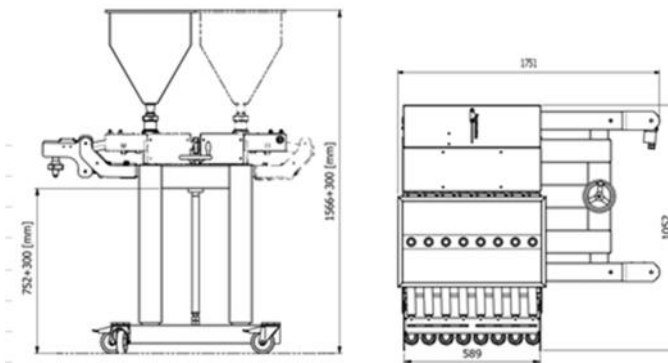
- 6 portioning: VN08
- 8 portioning: VN10
- Height adjustable cantilever stand
- Hopper 50 liter (14 gallon)
- Optional: heated hopper (30°C-90°C)
- Optional: cooling hopper (up to 4°C)
- Optional: conveyor line integration



## Technical specifications



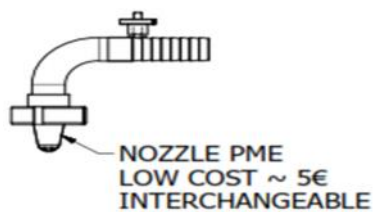
MULTIDROPPY VN08 (6 PORT)	DEPOSIT VOLUME	
	MAX	MIN
PIPE AND PLUNGER Ø=25 CAPACITY 45 ML	48 ml	7 ml
PIPE AND PLUNGER Ø=40 CAPACITY 120 ML	125 ml	20 ml
PIPE AND PLUNGER Ø=50 CAPACITY 190 ML	196 ml	25 ml



MULTIDROPPY VN10 (8 PORT)	DEPOSIT VOLUME	
	MAX	MIN
PIPE AND PLUNGER Ø=25 CAPACITY 45 ML	48 ml	7 ml
PIPE AND PLUNGER Ø=32 CAPACITY 120 ML	70 ml	12 ml

## NOZZLES (optionals)

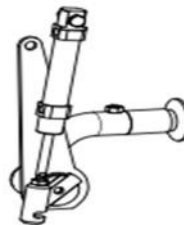
**OPTION E2  
VN20A010  
OUTLET NOZZLE**



**OPTION E3  
VN20A009  
SIMPLY CUT-OFF**



**OPTION E4  
VN20A004  
ROTARY CUT-OFF NOZZLE**



## Performances



Speed: 60 cycles/min

Power: 120 l/min (6 bar)

Weight: 150 Kg

Shipment dim: (120cmx800cmx120cm)

**VN FOODAERATION D.O.O.**

Registered office : Kunaverjeva ulica 9 - 1000 Ljubljana (Slovenija)

Operational headquarters: Industrijska cesta 005 - 5000 Nova Gorica (Slovenija)

info@foodaeration.com

